

**ARK-LES
UNCONTROLLED**

CUSTOMER DRAWING

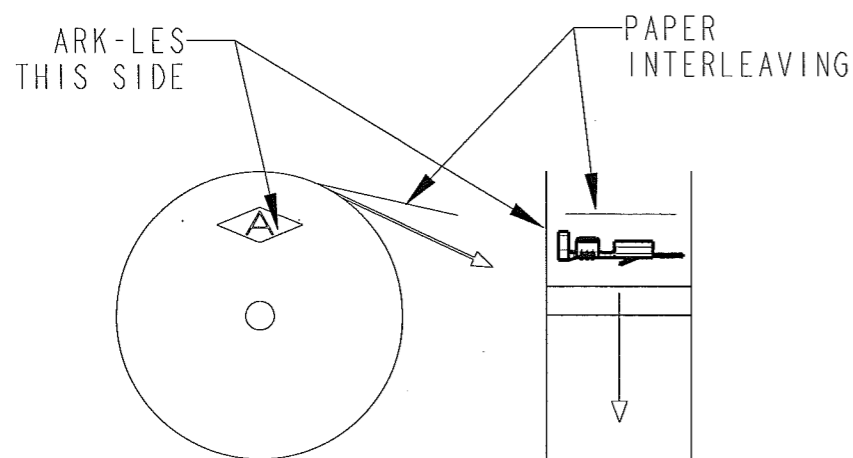
P/N: 3000H 112A/-5

REV
J

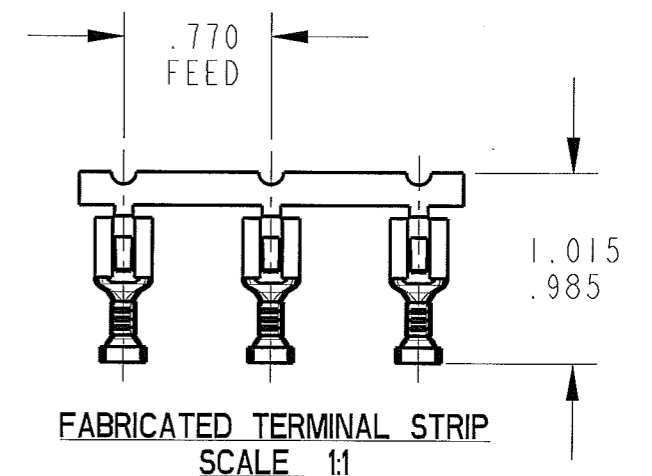
PART NO.	MATERIAL	FINISH
3000H 112A-5	.016 ±.0007 BRASS PRETINNED	SEE MAT'L
3000H 112AB-5	.016 ±.0007 BRASS	NONE
3000H 112AD-5	.016 ±.0007 BRASS	POST TIN PLATE

NOTES:

1. TO MATE WITH .250 X .032 MALE TAB.
2. TO ACCOMMODATE AWG #18-#14 WIRE.
3. INSULATION RANGE: .100-.175 DIA.
4. RECOMMENDED WIRE STRIP LENGTH: $9/32 \pm 1/32$.
5. INITIAL INSERTION 8 LBS. MAX., 4 LBS. MIN. USING STANDARD .250 X .032 BRASS TAB.



STANDARD REELING DIAGRAM



FABRICATED TERMINAL STRIP
SCALE 1:1

PRINT DIST.	PROD. REL. RM 3156 11/8/90	CHK'D	TOLERANCES UNLESS OTHERWISE SPECIFIED	 STOUGHTON, MA
DEPT #	QUOTE REL.	APP.	DECIMALS ±.015	
ENG I	DRAWN BY R.TASTULA 10/5/99	APP.	METRIC ±0.38mm	ORIGINAL IF RED CUSTOMER DRAWING PART NAME TERMINAL, FEMALE LOCKING TYPE
SALES	SUPERSEDES DWG. DATED: 10/22/99	APP.	ANGLES ±1°	
STO X	SCALE 3:1	DO NOT SCALE PRINT	3RD ANGLE PROJECTION	CAD#: 3000H_112A-5-REVJ_CUST.DRW
RAL	MATERIAL: SEE TABLE		DWG SIZE: B	P/N: 3000H 112A/-5
JZ	FINISH: SEE TABLE			REV J
CHINA				